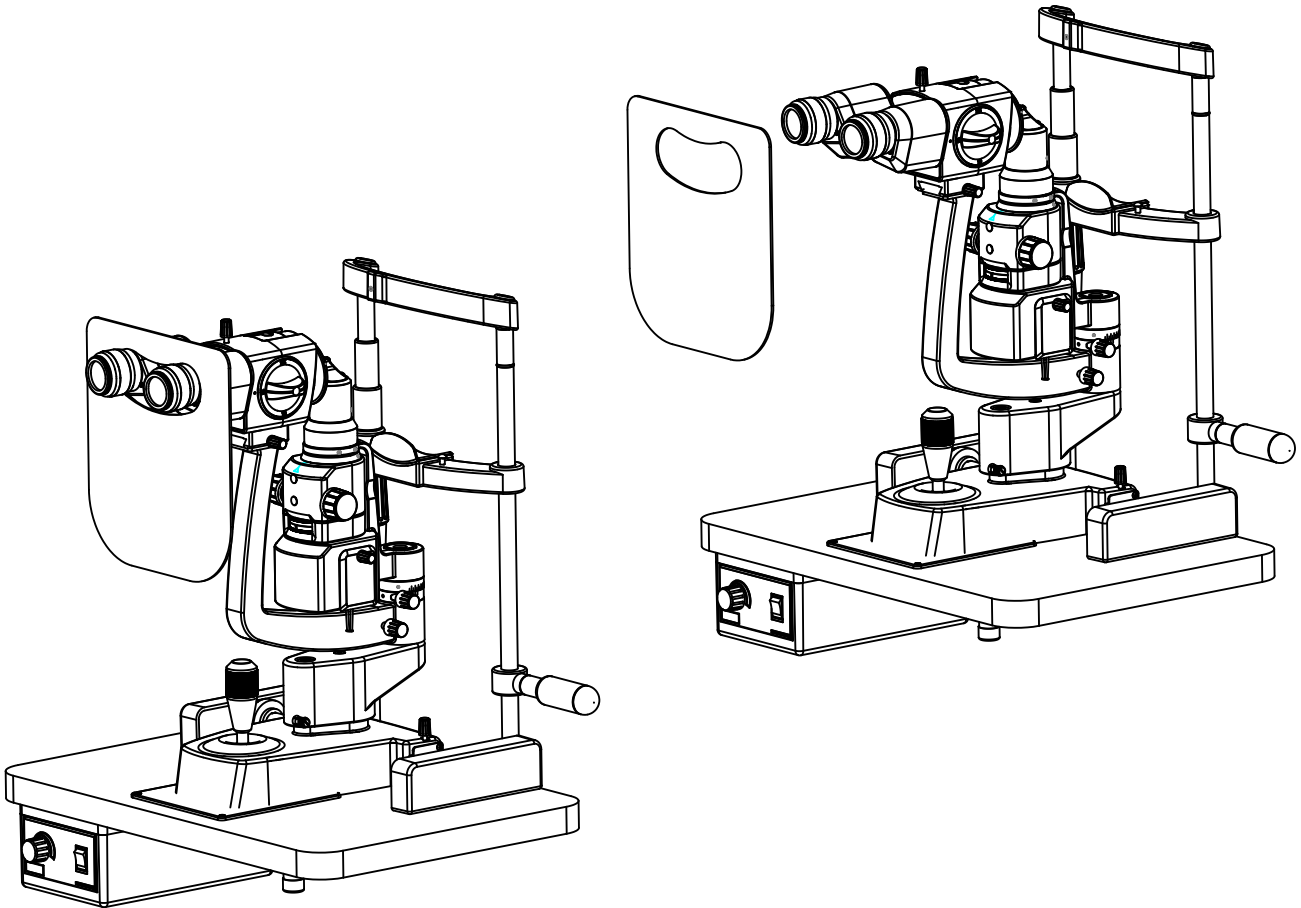


# **SLITLAMP FACE MASK**

---

## **(USER INSTRUCTIONS)**



**Following disinfectants are recommended for cleaning and disinfection.**

1. Normal household bleach (sodium hypochlorite 5%)- strength 5000ppm(10 parts water 1 part bleach)
2. 70%isopropylalcohol

**Procedure:**

- Take a muslin cloth.
- Moist it to feel wet
- Disinfect/clean the surface gently.

**Note – 1. Use mask and Gloves while performing cleaning and disinfection.**

**2. While cleaning, muslin cloth should not be dripped wet to prevent seepage and rusting to running/bare parts.**

**3. Alcohol is flammable,its use as a surface disinfectant should be in well-ventilated spaces only.**